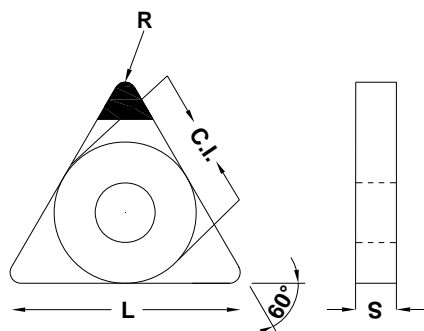
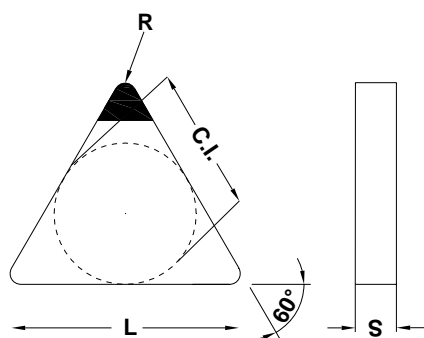


# INSERTI TRIANGOLARI NEGATIVI



CODICE ISO	L	C.I.	S	R
TNMA 090202	9.6	5.56	2.38	0.2
TNMA 090204	9.6	5.56	2.38	0.4
TNMA 090208	9.6	5.56	2.38	0.8
TNMA 110302	11.0	6.35	3.18	0.2
TNMA 110304	11.0	6.35	3.18	0.4
TNMA 110308	11.0	6.35	3.18	0.8
TNMA 110312	11.0	6.35	3.18	1.2
TNMA 160402	16.5	9.52	4.76	0.2
TNMA 160404	16.5	9.52	4.76	0.4
TNMA 160408	16.5	9.52	4.76	0.8
TNMA 160412	16.5	9.52	4.76	1.2
TNMA 160416	16.5	9.52	4.76	1.6
TNMA 220404	22.0	12.7	4.76	0.4
TNMA 220408	22.0	12.7	4.76	0.8
TNMA 220412	22.0	12.7	4.76	1.2
TNMA 220416	22.0	12.7	4.76	1.6



TNGN 090202	9.6	5.56	2.38	0.2
TNGN 090204	9.6	5.56	2.38	0.4
TNGN 090208	9.6	5.56	2.38	0.8
TNGN 110302	11.0	6.35	3.18	0.2
TNGN 110304	11.0	6.35	3.18	0.4
TNGN 110308	11.0	6.35	3.18	0.8
TNGN 110312	11.0	6.35	3.18	1.2
TNGN 160402	16.5	9.52	4.76	0.2
TNGN 160404	16.5	9.52	4.76	0.4
TNGN 160408	16.5	9.52	4.76	0.8
TNGN 160412	16.5	9.52	4.76	1.2
TNGN 160416	16.5	9.52	4.76	1.6
TNGN 220404	22.0	12.7	4.76	0.4
TNGN 220408	22.0	12.7	4.76	0.8
TNGN 220412	22.0	12.7	4.76	1.2
TNGN 220416	22.0	12.7	4.76	1.6