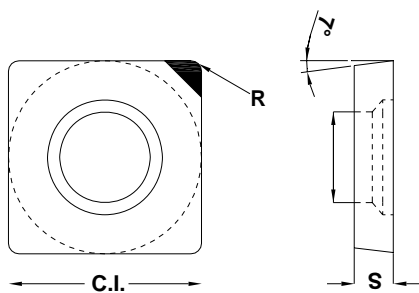
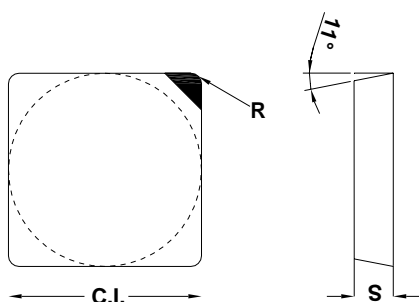


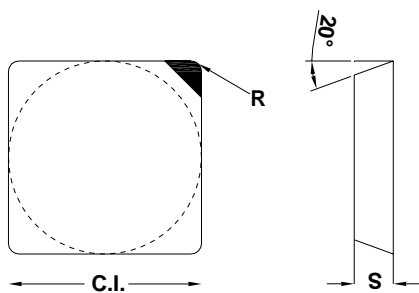
INSERTI QUADRI POSITIVI



| CODICE ISO | L | C.I. | S | D | R |
|-------------|-------|-------|------|-----|-----|
| SCMW 09T304 | 9.52 | 9.52 | 3.97 | 4.4 | 0.4 |
| SCMW 09T308 | 9.52 | 9.52 | 3.97 | 4.4 | 0.8 |
| SCMW 120404 | 12.40 | 12.40 | 4.76 | 5.5 | 0.4 |
| SCMW 120408 | 12.70 | 12.70 | 4.76 | 5.5 | 0.8 |



| | | | | | |
|-------------|-------|-------|------|--|-----|
| SPGN 090304 | 9.52 | 9.52 | 3.18 | | 0.4 |
| SPGN 090308 | 9.52 | 9.52 | 3.18 | | 0.8 |
| SPGN 120304 | 12.70 | 12.70 | 3.18 | | 0.4 |
| SPGN 120308 | 12.70 | 12.70 | 3.18 | | 0.8 |
| SPGN 150404 | 15.87 | 15.87 | 4.76 | | 0.4 |
| SPGN 150408 | 15.87 | 15.87 | 4.76 | | 0.8 |



| | | | | | |
|-------------|-------|-------|------|--|-----|
| SEGN 090304 | 9.52 | 9.52 | 3.18 | | 0.4 |
| SEGN 090308 | 9.52 | 9.52 | 3.18 | | 0.8 |
| SEGN 120404 | 12.70 | 12.70 | 4.76 | | 0.4 |
| SEGN 120408 | 12.70 | 12.70 | 4.76 | | 0.8 |