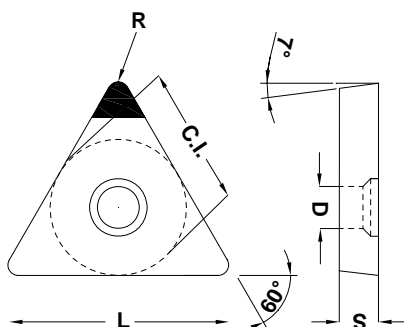
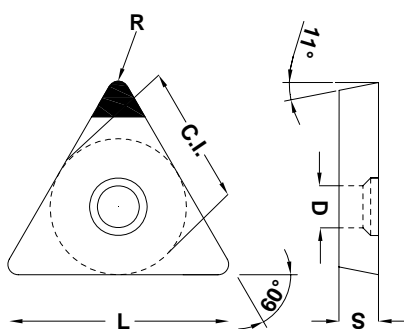


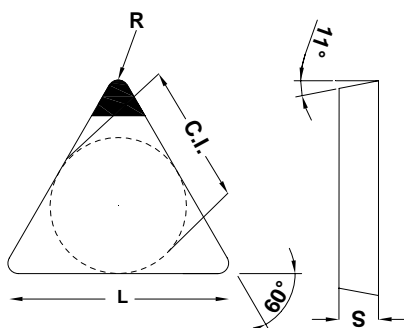
# INSERTI TRIANGOLARI POSITIVI



CODICE ISO	L	C.I.	S	D	R
TCMW 090202	9.6	5.56	2.38	2.5	0.2
TCMW 090204	9.6	5.56	2.38	2.5	0.4
TCMW 090208	9.6	5.56	2.38	2.5	0.8
TCMW 110202	11.0	6.35	2.38	2.8	0.2
TCMW 110204	11.0	6.35	2.38	2.8	0.4
TCMW 110208	11.0	6.35	2.38	2.8	0.8
TCMW 16T302	16.5	9.52	3.97	4.4	0.2
TCMW 16T304	16.5	9.52	3.97	4.4	0.4
TCMW 16T308	16.5	9.52	3.97	4.4	0.8
TCMW 16T312	16.5	9.52	3.97	4.4	1.2



TPMW 090202	9.6	5.56	2.38	2.5	0.2
TPMW 090204	9.6	5.56	2.38	2.5	0.4
TPMW 090208	9.6	5.56	2.38	2.5	0.8
TPMW 110302	11.0	6.35	3.18	3.5	0.2
TPMW 110304	11.0	6.35	3.18	3.5	0.4
TPMW 110308	11.0	6.35	3.18	3.5	0.8
TPMW 160302	16.5	9.52	3.18	4.8	0.2
TPMW 160304	16.5	9.52	3.18	4.8	0.4
TPMW 160308	16.5	9.52	3.18	4.8	0.8
TPMW 160312	16.5	9.52	3.18	4.8	1.2



TPGN 090202	9.6	5.56	2.38		0.2
TPGN 090204	9.6	5.56	2.38		0.4
TPGN 090208	9.6	5.56	2.38		0.8
TPGN 110302	11.0	6.35	3.18		0.2
TPGN 110304	11.0	6.35	3.18		0.4
TPGN 110308	11.0	6.35	3.18		0.8
TPGN 160302	16.5	9.52	3.18		0.2
TPGN 160304	16.5	9.52	3.18		0.4
TPGN 160308	16.5	9.52	3.18		0.8
TPGN 160312	16.5	9.52	3.18		1.2
TPGN 220404	22.0	12.7	4.76		0.4
TPGN 220408	22.0	12.7	4.76		0.8
TPGN 220412	22.0	12.7	4.76		1.2