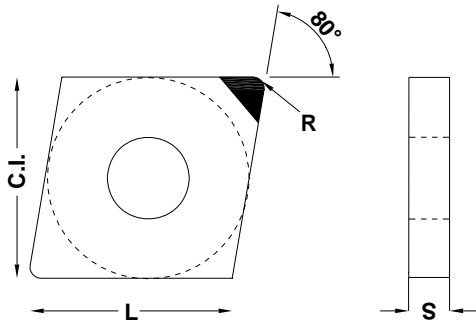
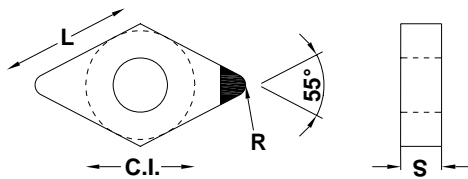


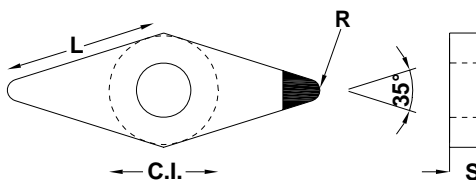
# INSERTI ROMBOIDALI NEGATIVI



CODICE ISO	L	C.I.	S	R
CNMA 090302	9.52	9.52	3.18	0.2
CNMA 090304	9.52	9.52	3.18	0.4
CNMA 090302	9.52	9.52	3.18	0.8
CNMA 120404	12.7	12.7	4.76	0.4
CNMA 120408	12.7	12.7	4.76	0.8
CNMA 120412	12.7	12.7	4.76	1.2
CNMA 120416	12.7	12.7	4.76	1.6



DNMA 110404	11.6	9.52	4.76	0.4
DNMA 110408	11.6	9.52	4.76	0.8
DNMA 110412	11.6	9.52	4.76	1.2
DNMA 110416	11.6	9.52	4.76	1.6
DNMA 150404	15.5	12.7	4.76	0.4
DNMA 150404	15.5	12.7	4.76	0.8
DNMA 150404	15.5	12.7	4.76	1.2
DNMA 150404	15.5	12.7	4.76	1.6
DNMA 150604	15.5	12.7	6.35	0.4
DNMA 150608	15.5	12.7	6.35	0.8
DNMA 150612	15.5	12.7	6.35	1.2
DNMA 150616	15.5	12.7	6.35	1.6



VNMA 160404	16.6	9.52	4.76	0.4
VNMA 160408	16.6	9.52	4.76	0.8
VNMA 160412	16.6	9.52	4.76	1.2
VNMA 160416	16.6	9.52	4.76	1.6